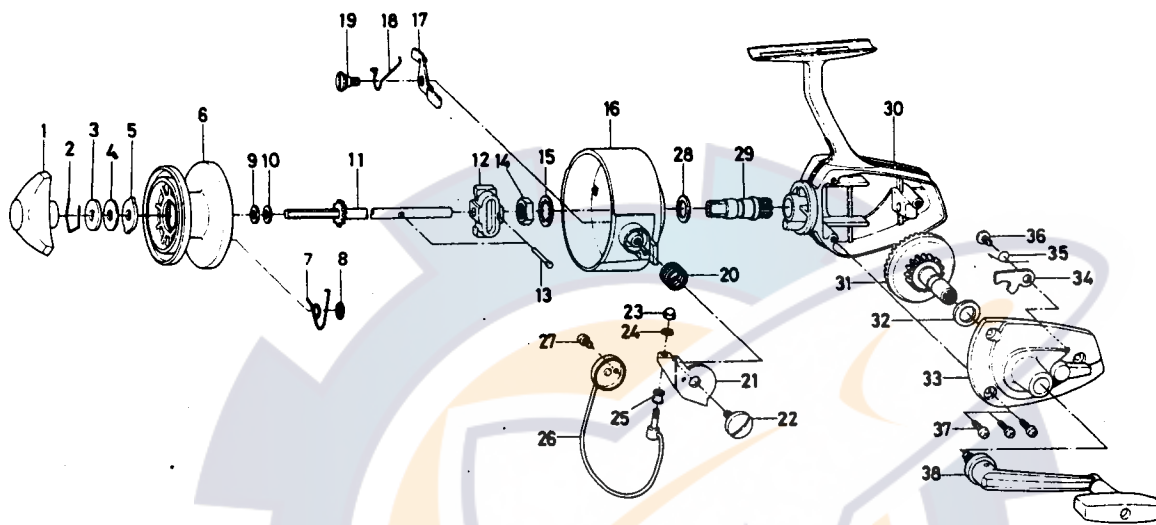


# SPINNING REEL 403A



**KEY NO. 2 ~ 8**  
**6-732-2001**

**SPOOL ASSEMBLY**

Key No.	Parts No.	Parts Name	Key No.	Parts No.	Parts Name
1	6-740-3002	Drag knob	20	6-140-9231	Bail spring
2	6-170-4001	Drag washer retainer	21	6-230-7001	Arm lever
3	6-374-7901	Drag D washer	22	6-363-1311	Arm lever screw
4	6-370-6901	Disc washer	23	6-341-9901	Bail nut
5	6-375-5302	Drag A washer	24	6-160-0121	Bail washer
*6	6-513-0311	Spool	25	6-250-3821	Line roller
7	6-141-1611	Spool click claw	26	6-725-6801	Bail
8	6-320-9701	Spool click claw retainer	27	6-352-0401	Bail holder screw
9	6-374-6401	Spool washer	28	6-371-6400	Pinion washer
10	6-374-6400	Spool adjusting washer	29	6-402-6511	Pinion gear
11	6-711-1801	Main shaft	30	6-700-8905	Body
12	6-481-1601	Oscillating slider	31	6-413-5311	Drive gear
13	6-490-4301	Oscillating slider pin	32	6-371-2800	Drive gear washer
14	6-340-6602	Rotor nut	33	6-706-4004	Body cover
15	6-160-1612	Rotor washer	34	6-111-5501	Anti-reverse claw
16	6-201-9003	Rotor	35	6-144-6111	Anti-reverse claw spring
17	6-570-9511	Bail kick lever	36	6-350-1931	Anti-reverse claw screw
18	6-140-6231	Bail kick lever spring	37	6-351-8501	Body cover screw
19	6-361-1512	Bail kick lever screw	38	6-746-5301	Handle

\*Not sold separately. See Spool Assembly.